

**POWER BANK
USER MANUAL**



Read all safety information below and operating instructions before using this power bank to avoid injury and damage to your device. We assume no responsibility for the damage to the charged devices due to improper operation to this power bank.

WARNING: Failure to follow these Safety instructions could result in fire, electric shock, or other injury or damage.

Handling the power bank Do not drop, disassemble, open, crush, bend, deform, puncture, shred, microwave, incinerate, paint, or insert foreign objects into this power bank.

Avoiding water and wet locations Do not use this power bank in rain, or near washbasins, or other wet locations. Take care not to spill any food or liquid on this power bank. In case this power bank get wet, unplug all cables, turn off power bank (press the power button for 3 seconds) before cleaning, and allow it to dry thoroughly before turning it on again. Do not attempt to dry this power bank with an external heat source, such as microwave oven or hair dryer. A power bank that has been damaged as a result of exposure to liquids is not serviceable.

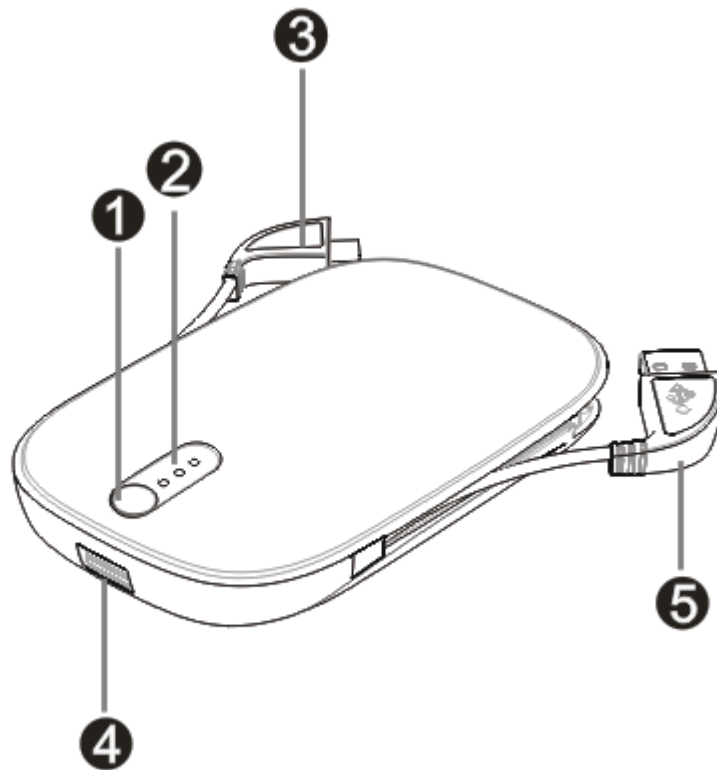
Repairing or modifying power bank Never attempt to repair or modify this power bank by yourself, disassembling this power bank including the removal of external screws, may cause damage that is not covered under the warranty. If this power bank has been submerged in water, punctured, or subjected to a severe fall, do not use it until you take it to the service provider.

Recharge the power bank Please use the build-in USB input connector for recharging the power bank, other AC adapter for connecting the power bank to the wall socket may cause damage to the power bank.

Using connectors or ports Never force a connector into a port, check for obstructions on the port. If the connector and port do not join with reasonable ease, they probably do not match. Make sure that the connector matches the port and that you have positioned the connector correctly in relation to the port.

Reboot the power bank As a protection measure, the power bank will shutdown and will not be restarted by pressing on the button when there is an unexpected short circuit happened, in case this condition happened, to use the build-in USB cable to recharge the power bank for few seconds to reboot it.

illustration:



- ① Power button (Turn ON/OFF).
- ② LED.
- ③ Micro USB output connector 5V/1A
- ④ USB output port 5V/2A
- ⑤ Recharge USB input connector.

Operation Instructions:

Start the power bank: Press the power button for 3 seconds to start the device, the three LED will blink for 5 seconds when the device is turned on.

Charge your device: After turn on the device, to have the power bank be correctly connected to your device for charging.

Turn off the power bank: Press the power button for 3 seconds to turn off the device when the charging is finished.

Battery capacity tracking: At power off status, make a short press on the button to track the remaining battery capacity.

Recharge the power bank: to have the USB input connector connected to the standard USB port on your computer for recharging this power bank.

Intelligent recognition: the power bank programmed with intelligent recognition system to achieve a higher compatibility for charging different mobile phones, if it is not going to charge when the micro USB connector is connected to your mobile phone, please restart the power bank while it is remain connecting to your mobile phone.

Specifications:

Battery Cell: Rechargeable lithium polymer

Capacity: 5500 mAh

Input: 5V/1A

Micro USB output: 5V/1A

USB output: 5V/2A

Dimension: 116*78*18mm

Compatible with:

Tablet PC, PAD, Mobile Phone, Smart Phone, PSP, NDS, MP3, MP4, MP5, Blue tooth, GPS, DV, Camera Etc.,.



*Note:

- The power bank don't support charging and discharging at the same time
- The Power bank has an embedded, non-replaceable battery, do not attempt to open the power bank or remove the battery as this may cause injury and damage the power bank.
- Please contact the local recycling facility for removal of the battery. The embedded, non-replaceable battery is designed to last the life time of the product.



Do not dispose of lithium polymer battery with general waste.
Please return it to battery recycling collection point.

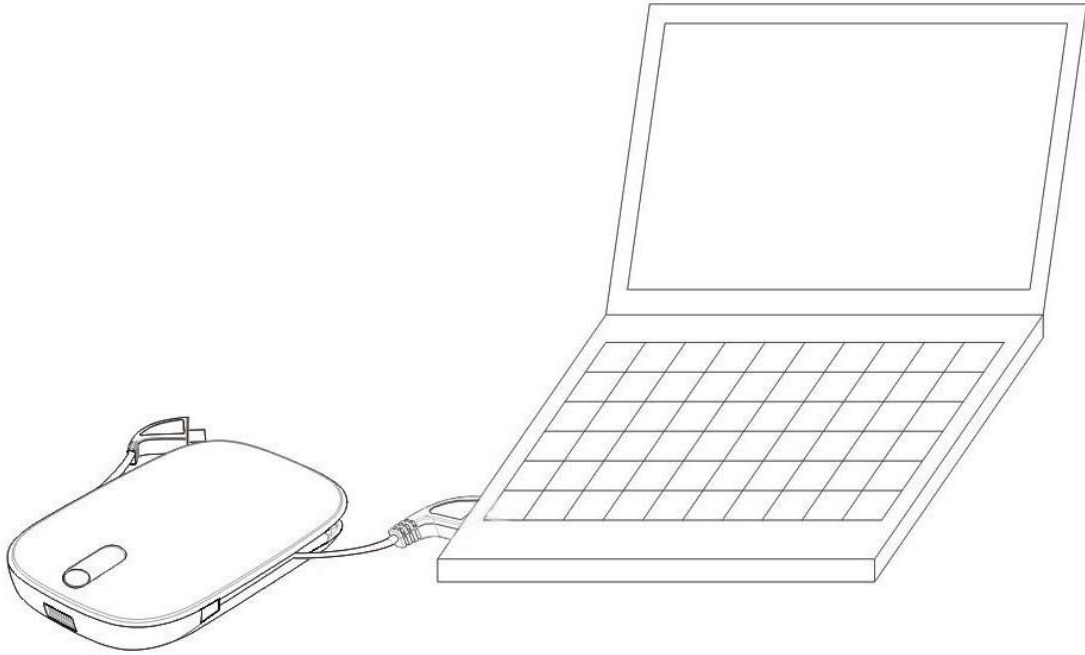
CE FC



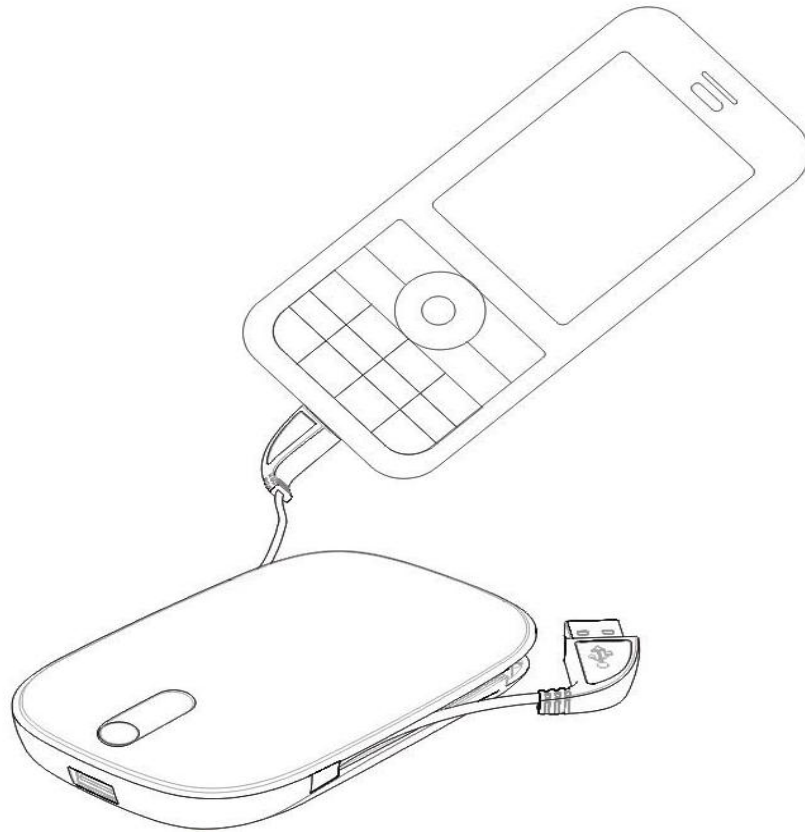
RoHS
Compliant



Demonstration 1:
Recharge the power bank from the computer USB port.

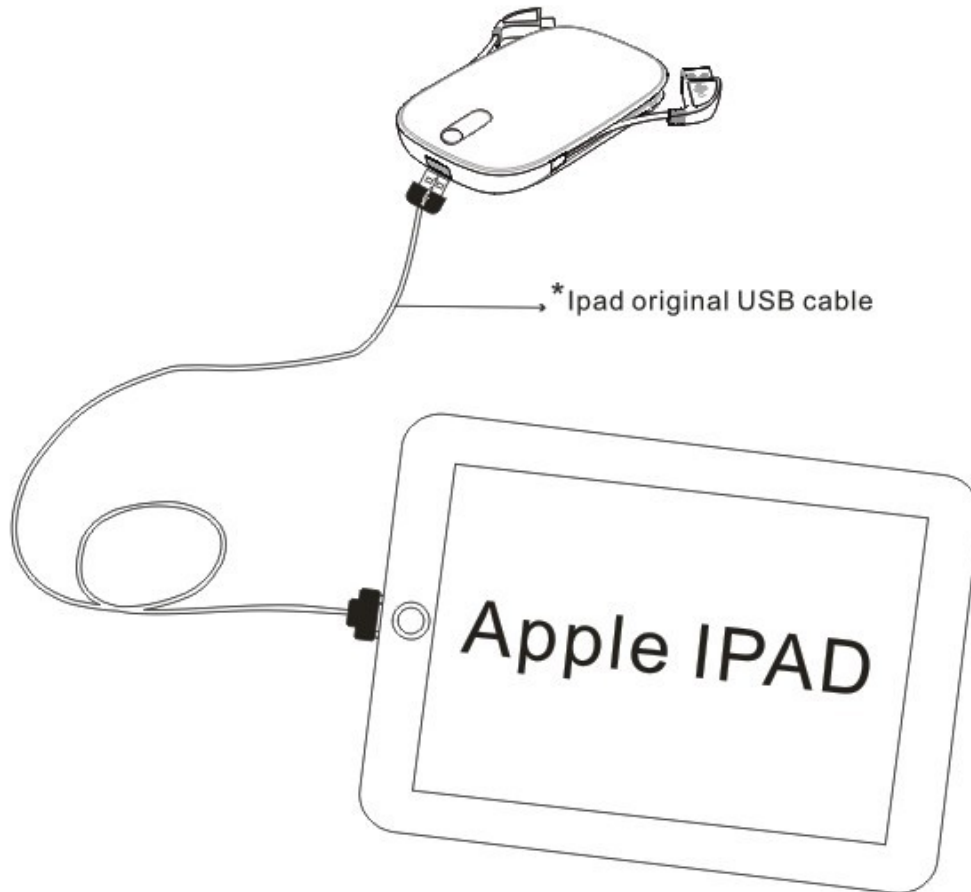


Demonstration 2:
Charge Micro USB compatible mobile phone.



Demonstration 3:

Charge ipad ipad2 and other 5V input tablet PC, mobile phone and digital devices.



**Demonstration 4:
Charge Samsung Galaxy Tab.**

